

# Aufbauübersicht für elektrische und elektronische Komponenten

## Data form for electrical and electronic component



Seite von  
Page 1 of 3

**Auftraggeber / Applicant:** Wuxi Betteri Electronic Technology Co., LTD  
5-1, #11, Jinshan Rd. Branch#IV Wuxi Optoelectronic Material Science&Technology Park  
214037 Wuxi PEOPLE'S REPUBLIC OF CHINA

**Fertigungsstätte / Production facility:** Wuxi Betteri Electronic Technology Co., LTD  
5-1, #11, Jinshan Rd. Branch#IV Wuxi Optoelectronic Material Science&Technology Park  
214037 Wuxi PEOPLE'S REPUBLIC OF CHINA

**Geräteart / Type of equipment:** Connectors for Photovoltaic Systems

**Typenbezeichnung / Type/model:** BC03A; BC03B

**Seriennr. / Serial no.:** N/A

**Nennspannung/Frequenz / Rated voltage/frequency:** 1000VDC

Item (acc. to standard for classification)	Specification
<b>Rated input power/current:</b>	30A
<b>Overvoltage category:</b>	I / II / III / IV
<b>Rated impulse withstand voltage:</b>	12kV
<b>Ambient temperature:</b>	-40°C~+85°C
<b>Material</b>	See page 2
<b>Degree of protection against liquids:</b>	IP67
<b>Protection class:</b>	I PE-connection <input type="checkbox"/> II Double insulation <input checked="" type="checkbox"/> III SELV/internally powered <input type="checkbox"/>
<b>Construction:</b>	Stationary <input checked="" type="checkbox"/> Portable <input type="checkbox"/> Hand-held <input type="checkbox"/> Open-frame <input type="checkbox"/>
<b>Supply connection:</b>	Non detachable cord <input checked="" type="checkbox"/> Permanent connection <input type="checkbox"/> Appliance inlet <input type="checkbox"/>
<b>Rated operation:</b>	Continuous operation <input checked="" type="checkbox"/>
<b>Contact specification:</b>	Intermittent operation <input type="checkbox"/>
<b>Material of gap:</b>	Short time operation <input type="checkbox"/>
Remark: 1. BC03A Connectors are free connectors, it includes BC03A "+" part and BC03A "-" part. 2. BC03B Connectors are fixed connectors, it includes BC03B "+" part and BC03B "-" part. 3. BC03A "+" part and BC03A "-" part must be used together. 4. BC03B "-" part and BC03A "+" part must be used together. 5. BC03B "+" part and BC03A "-" part must be used together.	

TEC\_GCN\_F\_09.32E - Rev.0

2010-11-26

**Prüfbericht Nr. / Test Report No.:** 70.407.13.638.02-01

**Ort / place:** Wuxi

**Datum / date:** 2018-03-21

**Projektleiter / Project engineer:**

**Stempel und Unterschrift /**  
Seal and signature

# Aufbauübersicht für elektrische und elektronische Komponenten

## Data form for electrical and electronic component



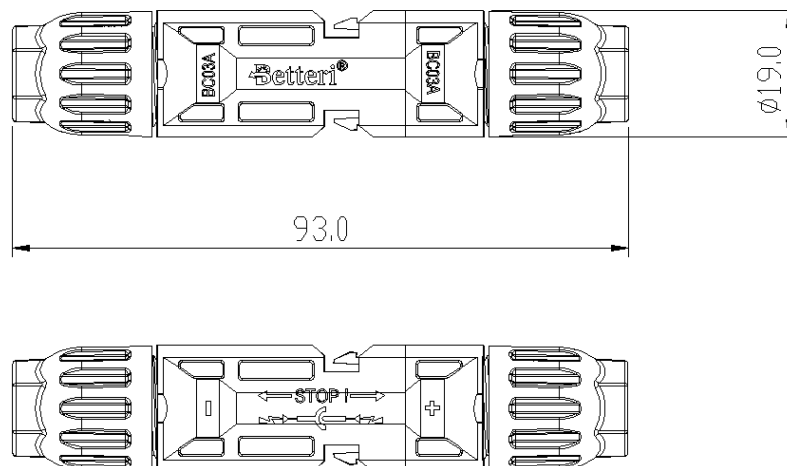
Product Service

Seite von  
Page 2 of 3

Bauteil/ Kind of component	Hersteller/ Manufacturer	Angaben über Typ, Stromstärke, Leistung, Material Transformatorspezifikation, Isolationsklasse etc. Information about type, current, power, material, transformer specification, insulating class , etc.	Prüfzeichen von Test mark from (TÜV, VDE, BSI, UL etc.)
<b>1. Insulation parts</b>			
<b>negative part</b>	1.1 SABIC INNOVATIVE PLASTICS B V	EXL9330(X)(f1)(GG)(B1), PC, UL94, V-0 RTI=125°C	E45329
<b>positive part</b>	1.2 SABIC INNOVATIVE PLASTICS B V	EXL9330(X)(f1)(GG)(B1), PC, UL94, V-0 RTI=125°C	E45329
<b>hexagon nut (only for BC03B connectors)</b>	1.3 SABIC INNOVATIVE PLASTICS B V	EXL9330(X)(f1)(GG)(B1), PC, UL94, V-0 RTI=125°C	E45329
<b>Cable gland (only for BC03A connectors)</b>	1.4 ASAHI KASEI CORP	FR370(j)(f1), PA66, UL94, V-0 RTI=130°C	E48285
<b>2. Cable</b>	2.1 WUXI XINHONGYE WIRE & CABLE CO., LTD.	PV1-F,-40°C~+90°C, 1*4mm <sup>2</sup>	TÜV Rheinland R50129983
<b>3. Carry current parts</b>	3.1 Ningbo ENN Electronic Technology CO., LTD.	C1100 copper(tinned)	N/A
<b>4. Sealing Ring</b>	4.1 SUZHOU KAIMENG ELECTRONIC CO., LTD.	Dow Corning RBB-6660-60	E55519
<b>5. Marking</b>			

**Betteri®**

**BC03A/BC03B**



Prüfbericht Nr. / Test Report No.: 70.407.13.638.02-01

Ort/place: Wuxi

Datum / date: 2018-03-21

Projektleiter / Project engineer:

Stempel und Unterschrift /  
Seal and signature

# Aufbauübersicht für elektrische und elektronische Komponenten

## Data form for electrical and electronic component



Product Service

Seite von  
Page 3 of 3

Bauteil/ Kind of component	Hersteller/ Manufacturer	Angaben über Typ, Stromstärke, Leistung, Material Transformatorspezifikation, Isolationsklasse etc. Information about type, current, power, material, transformer specification, insulating class , etc.	Prüfzeichen von Test mark from (TÜV, VDE, BSI, UL etc.)

TEC\_GCN\_F\_09.32E - Rev.0

2010-11-26

Prüfbericht Nr. / Test Report No.: 70.407.13.638.02-01

Ort/place: Wuxi

Datum / date: 2018-03-21

Projektleiter / Project engineer:

Stempel und Unterschrift /  
Seal and signature